

Application

A simple and efficient patented system for installing a pocket sliding door within a metal or timber stud wall. Suitable for all residential applications where space for hinged doors may be restricted.

The Universal kit is easily adaptable on site to suit a large range of door widths and heights and is available for single or double doors.

The optional Architrave Kit incorporates seals to help reduce draught, light and noise between rooms.

Maximum panel weight - 80kg

Maximum panel width - 926mm (leaf width)

Maximum panel height - 2040mm (leaf height)

SPECIFICATION

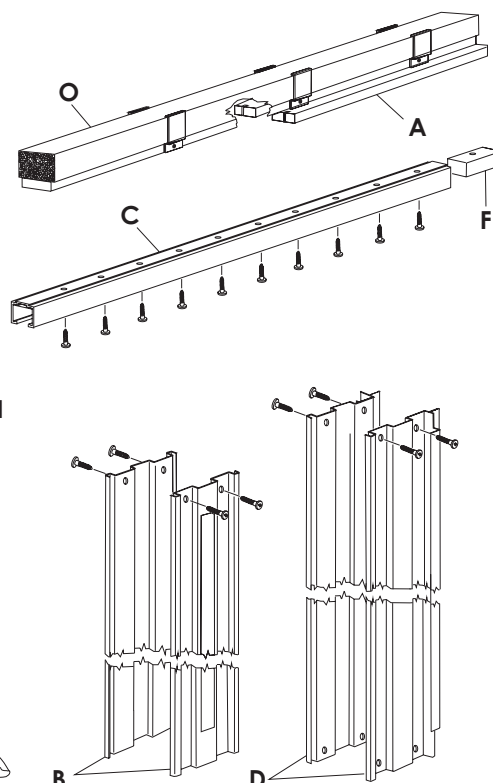
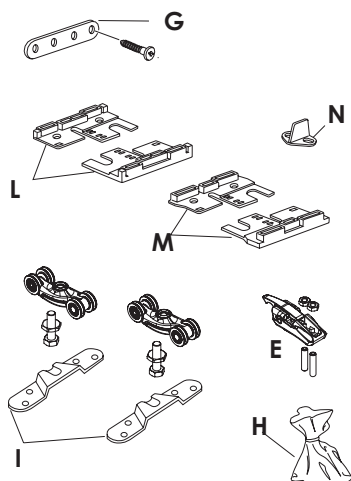
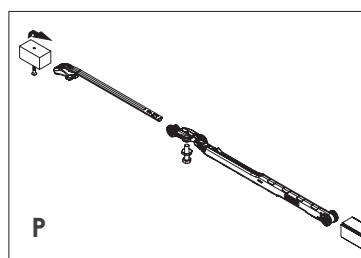
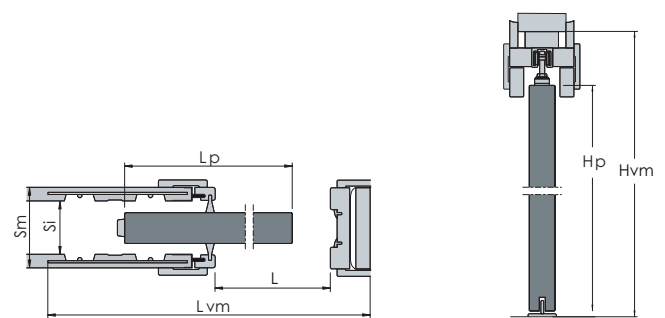
- U-shaped aluminium track for high stability
- Roller body in Zamak and Delrin wheels with ground and shielded bearings
- Slide mechanism tested in accordance with EN 1527
- Built-in adjustable stops
- Optional Soft Close kit available

CERTIFICATED QUALITY

- Galvanised steel vertical profiles with 200gr/m² total anti-corrosive protection

Door/panel size Width [Lp] x Height [Hp]	Wall opening size Width [Lvm] x Height [Hvm]
626 x 1981mm	1279 x 2068mm
626 x 2032mm	1279 x 2121mm
626 x 2040mm	1279 x 2131mm
726 x 1981mm	1479 x 2068mm
726 x 2032mm	1479 x 2121mm
726 x 2040mm	1479 x 2131mm
826 x 1981mm	1679 x 2068mm
826 x 2032mm	1679 x 2121mm
826 x 2040mm	1679 x 2131mm
926 x 1981mm	1879 x 2068mm
926 x 2032mm	1879 x 2121mm
926 x 2040mm	1879 x 2131mm

Finished wall size [Sm]	Internal size [Si]	Max. door thickness [Sp]	Max. door weight
100mm	52mm	44mm	80kg



Contents

- A** Black laminated wooden beam
- B** Rear vertical profiles (x2)
- C** Black anodised track
- D** Front vertical profiles (x2)
- E** Adjustable stop
- F** Timber spacer
- G** Joining plate for double door
- H** Fixing pack
- I** Rollers with adjustable clamps (80kg capacity)
- L** Back spacer
- M** Front spacer
- N** Lower door guide
- O** Polystyrene packer
- P** Optional Soft Close kit
- Q** Optional Architrave kit (not shown)

Installation

The **Pocket Slide 80** comes with fully detailed installation instructions and can be carried out by one person using only basic tools.

An installation video is available to download at:

<https://youtu.be/UJbzMr1BUqE>

Art No.	Single door kit	Order Quantity
PS80-20/1	Single door kit 626 - 926mm (w) x 2040mm (h)	1
PS80SCK	Optional soft close accessory	1
PS80-ARCH	Architrave Kit	1

